

THIS DRAWING IS UNPUBLISHED. RELEASED FOR PUBLICATION
 © COPYRIGHT BY TYCO ELECTRONICS CORPORATION. ALL RIGHTS RESERVED.

LOC	DIST	REVISIONS			
P	LTR	DESCRIPTION	DATE	DWN	APVD
AJ	16	U1	REVISED PER ECO-06-018704	18SEP2006	MC JH

1 DIELECTRIC : DELRIN/POLYMETHYLPENTENE
 PLUG CENTER CONTACT : BRASS
 PLUG OUTER CONTACT : BRASS
 SHELL : ZINC

2 GOLD PLATE, .000015 MINIMUM THICK
 OVER .000050 MINIMUM THICK NICKEL.

3 NICKEL PLATE .000120 MINIMUM THICK

5. INTERMATEABLE WITH PRODUCT PER MIL-C-39012

6 GOLD PLATE, .000030 MINIMUM THICK
 OVER .000050 MINIMUM THICK NICKEL.

7 SILVER PLATE .000200 MINIMUM THICK
 OVER .000050 MINIMUM THICK NICKEL.

8 PHOSPHOR BRONZE

9 BERYLLIUM COPPER

10 SEE SEPARATE RESTRICTED CUSTOMER DRAWINGS

11 SPECIAL PACKAGING: INDIVIDUALLY PACKAGED
 FOR NETCON.

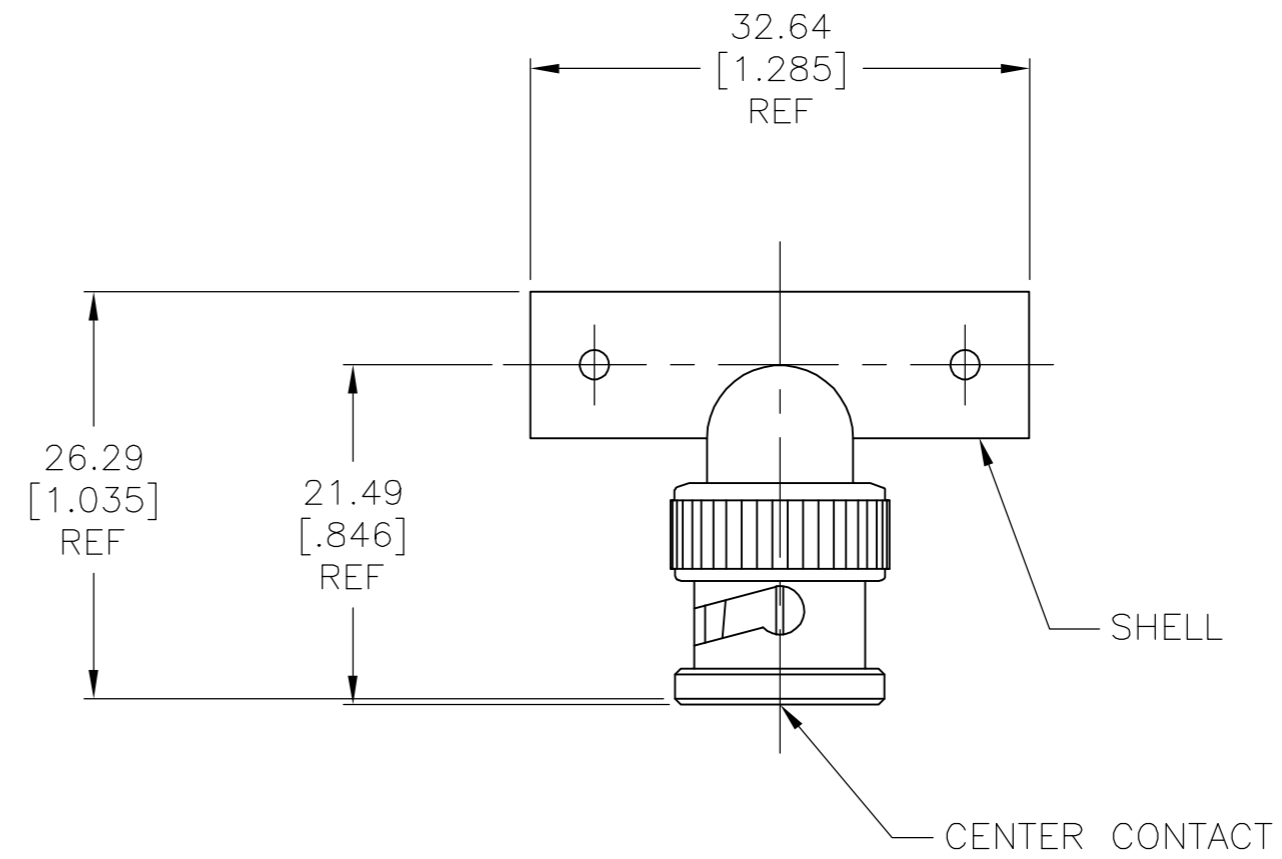
12 BULK PACKAGED: 25 PCS PER BAG

13 BULK PACKAGED: 100 PCS PER BAG

14 BULK PACKAGED: 5 PCS PER BLISTER PACK

15 BULK PACKAGED: 5 PCS PER BOX

16 INDIVIDUALLY PACKAGED



14	OBSOLETE	8	3	2	1-413592-7
10	OBSOLETE	-	-	-	1-413592-6
15	OBSOLETE	8	3	7	1-413592-5
		8	3	6	1-413592-4
		-	-	-	-
		-	-	-	-
		9	3	7	1-413592-1
	OBSOLETE	8	3	7	1-413592-0
	OBSOLETE	8	3	2	413592-9
	OBSOLETE	9	3	7	413592-8
		9	3	6	413592-6
	OBSOLETE	8	3	7	413592-4
		8	3	2	413592-2
		MATERIAL: JACK CENTER CONTACT	SHELL PLATING	CONTACT PLATING	PART NO

THIS DRAWING IS A CONTROLLED DOCUMENT.		DWN J. LIPPERT 6-27-90	Tyco Electronics Corporation Harrisburg, Pa 17105-3608	
DIMENSIONS: mm [INCHES]		CHK D.LAMAN 6-27-90		
TOLERANCES UNLESS OTHERWISE SPECIFIED:		APVD D.LAMAN 6-27-90	NAME T-ADAPTER SERIES BNC	
0 PLC ± -		PRODUCT SPEC 108-12090	RESTRICTED TO	
1 PLC ± -		APPLICATION SPEC	SIZE A2	CAGE CODE 00779
2 PLC ± -		WEIGHT -	DRAWING NO C=413592	
3 PLC ± -			SCALE 2:1 SHEET 1 OF 1	
4 PLC ± -			REV U1	
ANGLES ± -		CUSTOMER DRAWING		
FINISH				